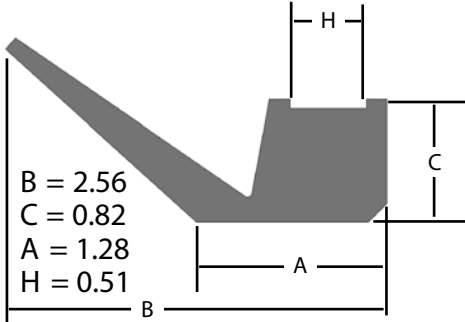
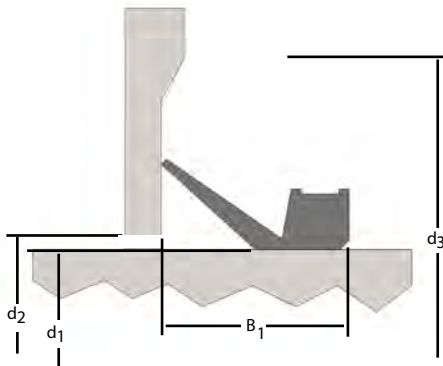


Select the larger V-Seal when the dimension d_1 is on the boundary between two sizes of V-Seal. All dimensions in inches.

Profile dimensions



Assembly dimensions



$$B_1 = 2.00 + 0.50$$

$$d_2 \text{ max} = d_1 + 0.94$$

$$d_3 \text{ min} = d_1 + 4.53$$

V-Seal Designation n	For Shaft Diameter d_1	Inside Diameter d	V-Seal Designation n	For Shaft Diameter d_1	Inside Diameter d
V-450 M	17.72-17.91	17.28	V-830 M	32.32-32.72	31.34
V-455 M	17.91-18.11	17.48	V-840 M	32.72-33.11	31.69
V-460 M	18.11-18.31	17.64	V-850 M	33.11-33.50	32.05
V-465 M	18.31-18.50	17.39	V-860 M	33.50-33.90	32.44
V-470 M	18.50-18.70	18.03	V-870 M	33.90-34.29	32.80
V-475 M	18.70-18.90	18.23	V-880 M	34.29-34.72	33.19
V-480 M	18.90-19.09	18.43	V-890 M	34.72-35.12	33.58
V-485 M	19.09-19.29	18.62	V-900 M	35.12-35.91	34.29
V-490 M	19.29-19.49	18.82	V-920 M	35.91-36.30	34.65
V-495 M	19.49-19.69	19.02	V-930 M	36.30-36.73	35.04
V-500 M	19.69-19.88	19.21	V-940 M	36.73-37.17	35.43
V-505 M	19.88-20.08	19.41	V-950 M	37.17-37.60	35.87
V-510 M	20.08-20.28	19.57	V-960 M	37.60-38.03	36.26
V-515 M	20.28-20.47	19.76	V-970 M	38.03-38.47	36.69
V-520 M	20.47-20.67	19.96	V-980 M	38.47-38.90	37.09
V-525 M	20.67-20.87	20.16	V-990 M	38.90-39.33	37.52
V-530 M	20.87-21.06	20.35	V-1000 M	39.33-39.76	37.91
V-535 M	21.06-21.26	20.51	V-1020 M	39.76-40.35	38.31
V-540 M	21.26-21.46	20.71	V-1040 M	40.35-41.14	38.98
V-545 M	21.46-21.65	20.91	V-1060 M	41.14-41.93	39.69
V-550 M	21.65-21.85	21.10	V-1080 M	41.93-42.72	40.43
V-555 M	21.85-22.05	21.30	V-1100 M	42.72-43.50	41.14
V-560 M	22.05-22.24	21.50	V-1120 M	43.50-44.29	41.93
V-565 M	22.24-22.44	21.65	V-1140 M	44.29-45.08	42.68
V-570 M	22.44-22.64	21.85	V-1160 M	45.08-45.87	43.43
V-575 M	22.64-22.84	22.05	V-1180 M	45.87-46.65	44.13
V-580 M	22.84-23.03	22.24	V-1200 M	46.65-47.44	44.84
V-585 M	23.03-23.23	22.44	V-1220 M	47.44-48.23	45.55
V-590 M	23.23-23.62	22.64	V-1240 M	48.23-49.02	46.30
V-600 M	23.62-24.02	22.91	V-1260 M	49.02-50.00	47.05
V-610 M	24.02-24.41	23.31	V-1280 M	50.00-50.98	47.95
V-620 M	24.41-24.80	23.70	V-1300 M	50.98-51.77	48.82
V-630 M	24.80-25.20	24.09	V-1325 M	51.77-52.76	49.57
V-640 M	25.20-25.59	24.45	V-1350 M	52.76-53.74	50.43
V-650 M	25.59-25.98	24.84	V-1375 M	53.74-54.72	51.38
V-660 M	25.98-26.38	25.20	V-1400 M	54.72-55.71	52.28
V-670 M	26.38-26.77	25.59	V-1425 M	55.71-56.69	53.15
V-680 M	26.77-27.17	25.98	V-1450 M	56.69-57.68	54.09
V-690 M	27.17-27.56	26.38	V-1475 M	57.68-58.66	55.00
V-700 M	27.56-27.95	26.77	V-1500 M	58.66-59.65	55.87
V-710 M	27.95-28.35	27.13	V-1525 M	59.65-60.63	56.81
V-720 M	28.35-28.74	27.52	V-1550 M	60.63-61.81	57.76
V-730 M	28.74-29.13	27.91	V-1575 M	61.81-62.99	58.86
V-740 M	29.13-29.53	28.27	V-1600 M	62.99-64.57	60.00
V-750 M	29.53-29.84	28.66	V-1650 M	64.57-66.14	61.38
V-760 M	29.84-30.16	28.94	V-1700 M	66.14-67.72	62.84
V-770 M	30.16-30.47	29.25	V-1750 M	67.72-69.49	64.25
V-780 M	30.47-30.83	29.57	V-1800 M	69.49-71.26	65.79
V-790 M	30.83-31.18	29.88	V-1850 M	71.26-73.03	67.48
V-800 M	31.18-31.54	30.24	V-1900 M	73.03-75.00	69.02
V-810 M	31.54-31.89	30.59	V-1950 M	75.00-76.97	70.63
V-820 M	31.89-32.32	30.95	V-2000 M	76.97-79.13	72.60